

# Step Light 2102

3"x 4" portrait orientation

Recessed step or pathway light

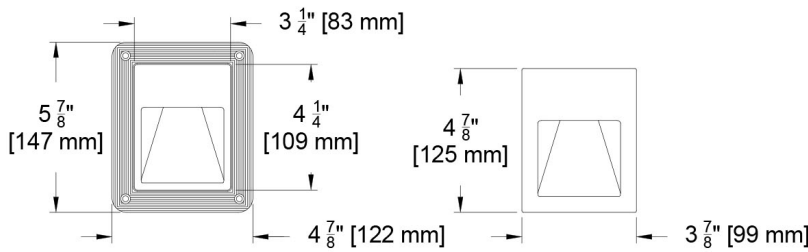
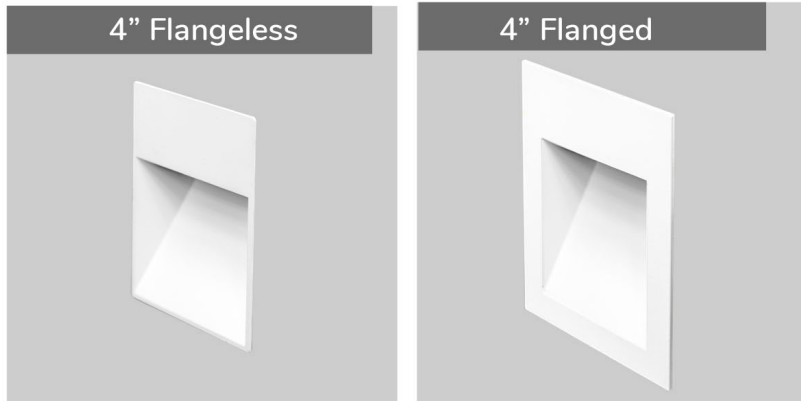
Your path forward is important and Specialty is here to help guide your steps. Our fully dimmable solid state pathway or step light is intended for low level illumination in residential, institutional, commercial or theater applications. The 2102 light is wet location rated for recessed applications in cement, stone or drywall.

PROJECT:

TYPE:

SPECIFIER:

DATE:



## Key Points (2102)

### Trim/Housing

- Flanged or Flangeless installation
- Milled aluminum Housing
- IP54 Wet Location

### Source/Optics

- 4w LED array.
- Up to 62 delivered lumens
- <2 MacAdam Steps (<2SDCM) for fixed white.
- 90 + CRI
- Integral, flat, veiling acrylic lens
- 2700,3000,3500,4000K.

### Driver

- 120 Volt, 60 Hz

### Labels

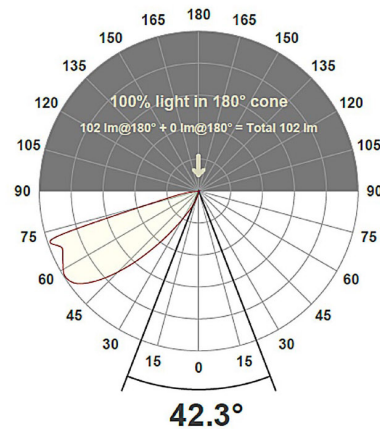
-  US, US tested to UL standards 1598, Wet location

### Trim Finish

- 2 color options + Custom color, RAL or wood available

SW-2102 Step Light					
Source	CCT	System watts (W)	Delivered Lumens (Lm)	Lumens/Watt	Peak (cd)
Specialty A4	2700	4	57	14	74.9
Specialty A4	3000	4	61	15	80.2



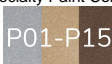


Measurements based on 3000K CCT



# Ordering Codes

PROJECT: \_\_\_\_\_ SPECIFIER: \_\_\_\_\_  
DATE: \_\_\_\_\_ TYPE: \_\_\_\_\_ QUANTITY: \_\_\_\_\_

Ordering Code Example: 2102-F-A4-27-V4-B

2102						
FIXTURE	TRIM	MOUNTING	SOURCE / WATTS	CCT	DRIVER / CONTROL	TRIM FINISH
Step Light 2102	<p>F Flanged Trim</p> <p>Z Flangeless Trim</p>	<p>Flanged Housings</p> <p>FH Flanged Housing</p> <p>Flangeless Housings</p> <p>PH Plaster Housing</p> <p>PM Panel Mount*</p> <p>CM Concrete Mount</p> <p>*Usually used with Wood Finish option</p>	<p>AC4 4W 102Lm 90+CRI, 60+R9 AC LED - Specialty Array</p>	<p>30 3000K</p> <p>27 2700K</p> <p>35 3500K</p>	<p>V4 10.0%, (120-120V) 120v line voltage driver</p>	<p>W White Paint</p>  <p>B Black Paint</p>  <p>PXX Specialty Paint Color*</p> <p>P01-P15</p>  <p>C Custom/RAL Color*</p>  <p>D Wood**</p>  <p>*Refer to Specialty Finish Guide **Refer to Specialty Wood Trim Guide</p> <p><a href="#">FINISH GUIDE LINK</a></p> <p><a href="#">WOOD TRIM GUIDE</a></p>

# Step Light 2102

3"x 4" portrait orientation

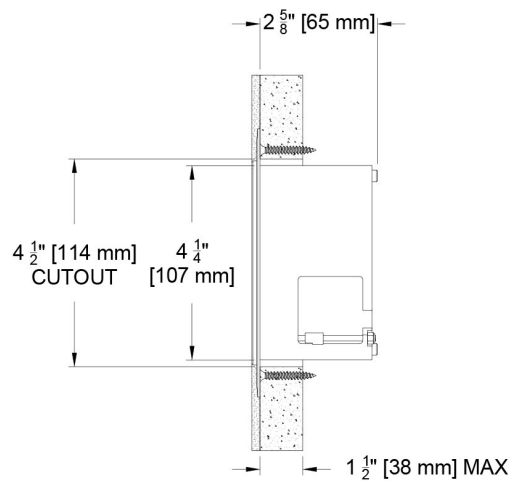
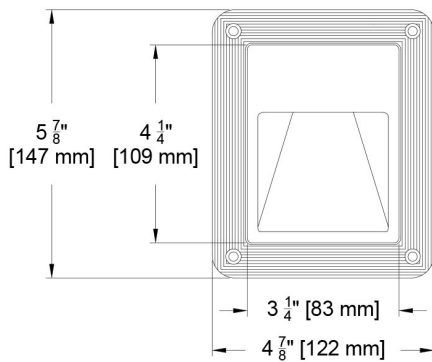
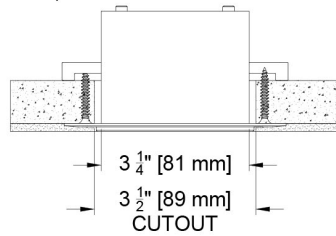
Recessed step or pathway light

## Wall Cutouts & Dimensions

### Step Light

### Plaster Mount (PH)

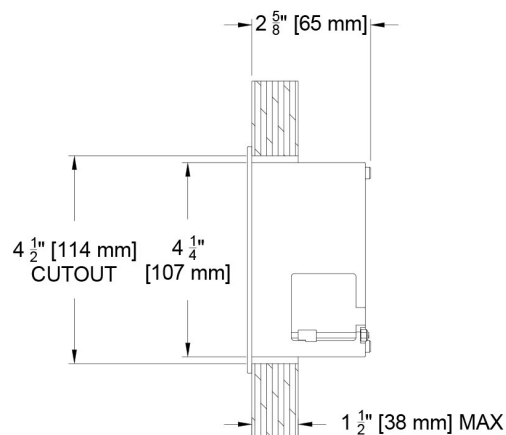
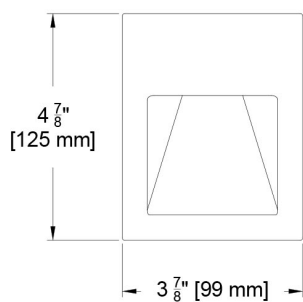
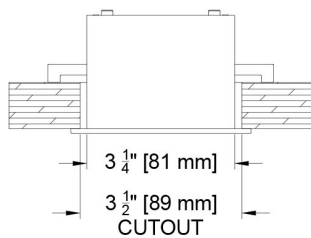
(2102-Z-PH-)



### Step Light

### Flange Mount (FH)

(2102-F-FH-)

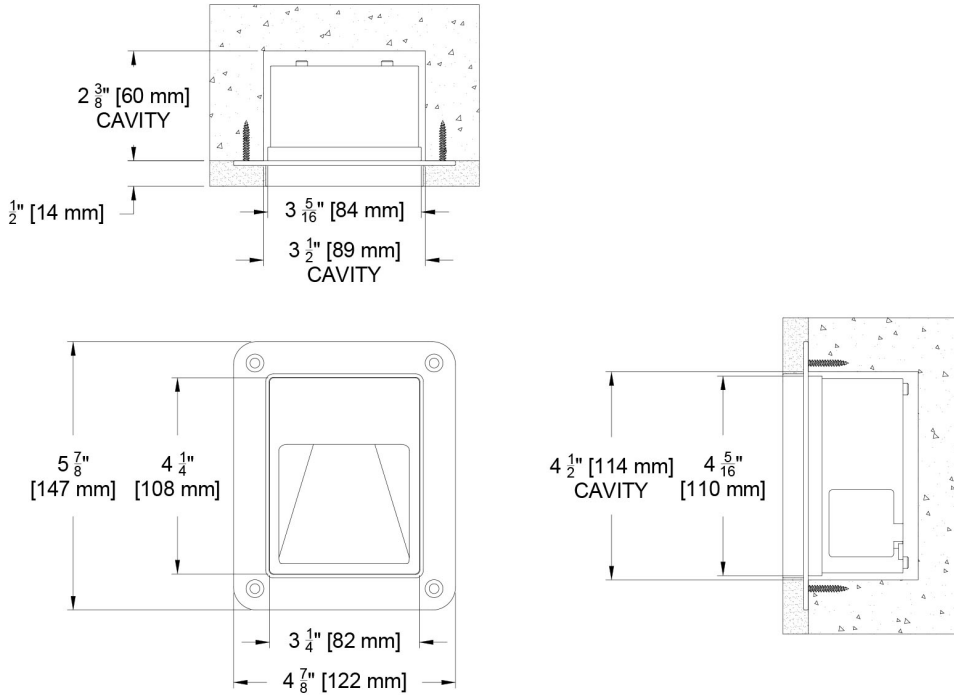


# Wall Cutouts & Dimensions

## Step Light

## FlangelessTrim (Z) for Concrete Mount

(2102-Z-CM-)



## Step Light

## FlangelessTrim (Z) for Wood Panel Mount

(2102-Z-PM-)

